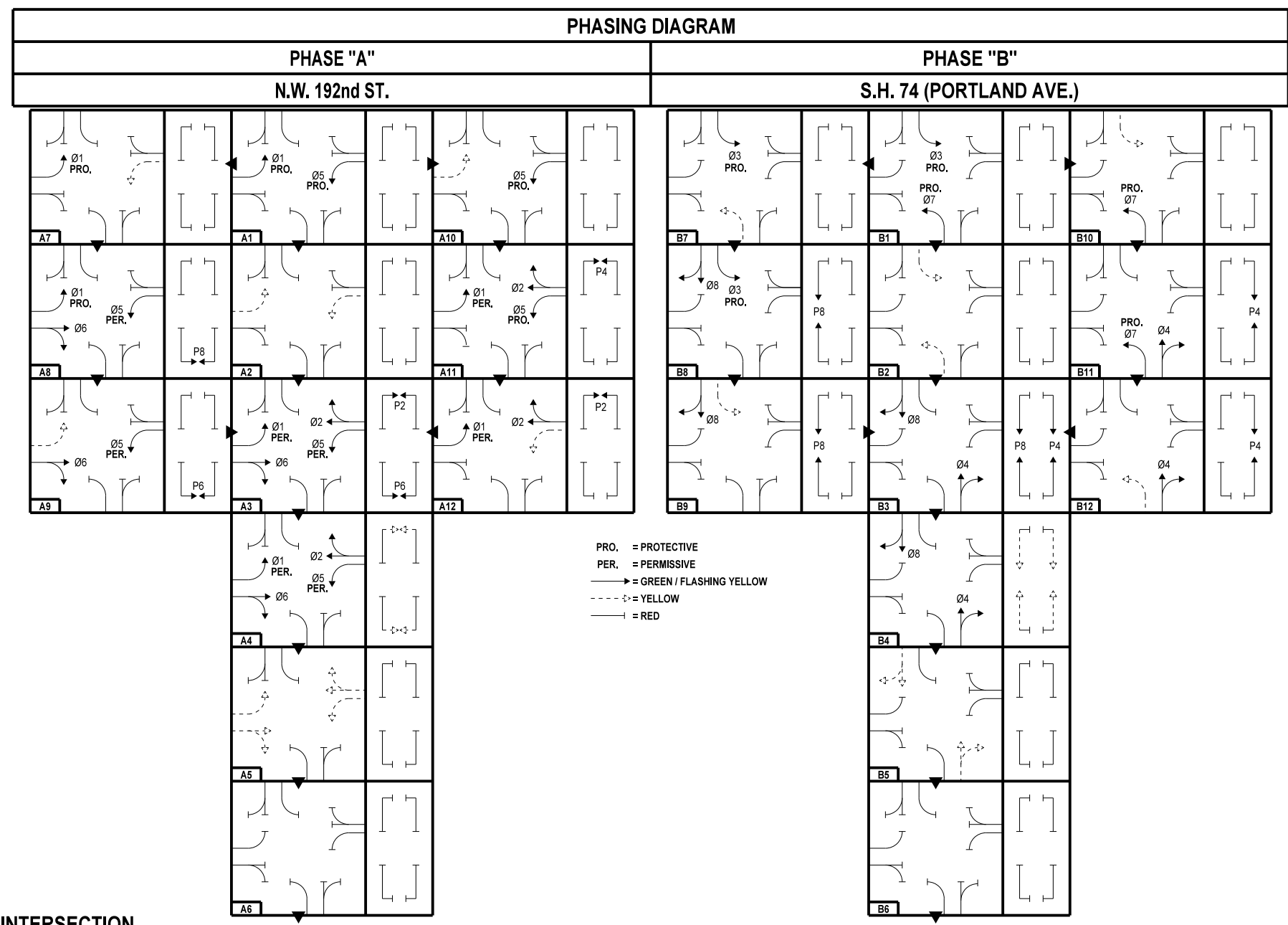
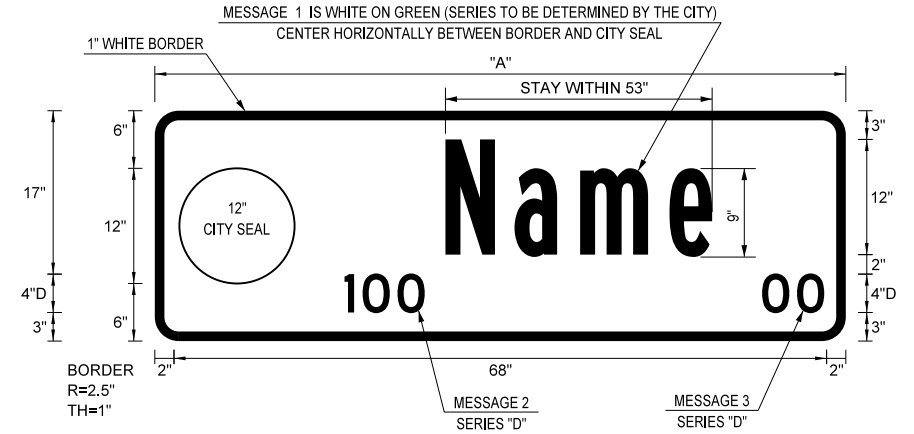
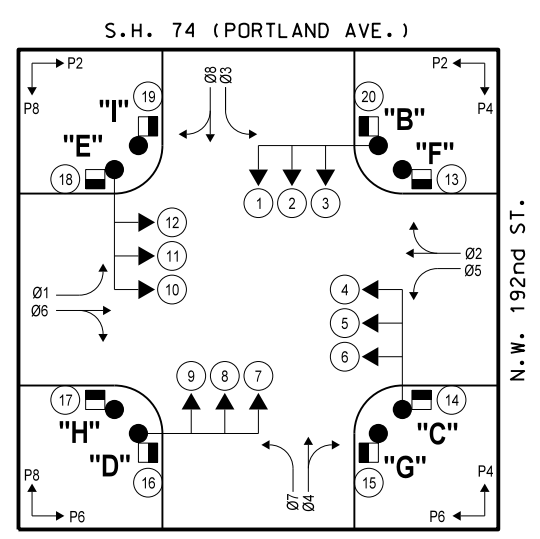


REVISIONS		
NO.	DESCRIPTION	DATE



DIRECTION	BLOCK NO.	PHASE											
		Ø7	Ø4	Ø1	Ø6	Ø3	Ø8	Ø5	Ø2	P4	P6	P8	P2
		SIGNAL HEAD NO.											
		1	2,3	4	5,6	7	8,9	10	11,12	13,14	15,16	17,18	19,20
Ø1, Ø5 ROW	A1	←R	R	←G	R	←R	R	←G	R	DW	DW	DW	DW
Ø3, Ø5 CL	A2	←R	R	←Y	R	←R	R	←Y	R	DW	DW	DW	DW
Ø1, Ø6, Ø5, Ø2, P6, P2 ROW	A3	←R	R	←F	G	←R	R	←F	G	DW	W	DW	W
Ø1, Ø6, Ø5, Ø2, ROW & P6, P2 CL	A4	←R	R	←F	G	←R	R	←F	G	DW	FDW	DW	FDW
Ø1, Ø6, Ø5, Ø2 ROW	A5	←R	R	←Y	Y	←R	R	←Y	Y	DW	DW	DW	DW
ALL RED	A6	←R	R	←R	R	←R	R	←R	R	DW	DW	DW	DW
Ø1 ROW & Ø5 CL	A7	←R	R	←G	R	←R	R	←Y	R	DW	DW	DW	DW
Ø1, Ø6, Ø5, P6 ROW	A8	←R	R	←G	G	←R	R	←F	R	DW	W	DW	DW
Ø6, Ø5, P6 ROW & Ø1 CL	A9	←R	R	←Y	G	←R	R	←F	R	DW	W	DW	DW
Ø5 ROW & Ø1 CL	A10	←R	R	←Y	R	←R	R	←G	R	DW	DW	DW	DW
Ø1, Ø5, Ø2, P2 ROW	A11	←R	R	←F	R	←R	R	←G	G	DW	DW	DW	W
Ø1, Ø2, P2 ROW & Ø5 CL	A12	←R	R	←F	R	←R	R	←Y	G	DW	DW	DW	W
Ø7, Ø3 ROW	B1	←G	R	←R	R	←G	R	←R	R	DW	DW	DW	DW
Ø5, Ø1 CL	B2	←Y	R	←R	R	←Y	R	←R	R	DW	DW	DW	DW
Ø4, Ø8, P4, P8 ROW	B3	←R	G	←R	R	←R	G	←R	R	W	DW	W	DW
Ø4, Ø8 ROW & P4, P8 CL	B4	←R	G	←R	R	←R	G	←R	R	FDW	DW	FDW	DW
Ø4, Ø8 ROW	B5	←R	Y	←R	R	←R	Y	←R	R	DW	DW	DW	DW
ALL RED	B6	←R	R	←R	R	←R	R	←R	R	DW	DW	DW	DW
Ø3 ROW & Ø7 CL	B7	←Y	R	←R	R	←G	R	←R	R	DW	DW	DW	DW
Ø3, Ø8, P8 ROW	B8	←R	R	←R	R	←G	G	←R	R	DW	DW	W	DW
Ø8, P8 ROW & Ø3 CL	B9	←R	R	←R	R	←Y	G	←R	R	DW	DW	W	DW
Ø7 ROW & Ø3 CL	B10	←G	R	←R	R	←Y	R	←R	R	DW	DW	DW	DW
Ø7, Ø4, P4 ROW	B11	←G	G	←R	R	←R	R	←R	R	W	DW	DW	DW
Ø4, P4 ROW, Ø7 CL	B12	←Y	G	←R	R	←R	R	←R	R	W	DW	DW	DW
FLASHING OPERATION	-	←FR	FR	←FR	FR	←FR	FR	←FR	FR	-	-	-	-

INTERSECTION PHASING & SIGNAL HEAD NO.'S



SUMMARY OF MAST ARM MOUNTED SIGNS							
MESSAGE 1	MESSAGE 2	MESSAGE 3	POLE LOCATION	A (IN.)	HEIGHT (IN.)	SIGN AREA (S.F.)	TOTAL (S.F.)
NW 192nd	3800	3700	B	72.00	24.00	12.00	12.00
Portland	19300	19200	C	72.00	24.00	12.00	12.00
NW 192nd	3700	3800	D	72.00	24.00	12.00	12.00
Portland	19200	19300	E	72.00	24.00	12.00	12.00
R10-12M	--	--	C+E	30.00	36.00	7.50	15.00
TOTAL							63.00

NOTE:
 THE CONTRACTOR SHALL CONTACT THE CITY OF OKLAHOMA CITY TO OBTAIN THE HUNDRED BLOCK NO. (MESSAGE 2 & 3) IF NEEDED.

Design RWR 08/10/17
 Drawn GDB 08/10/17

SIGNAL DETAIL PLAN
N.W. 192nd ST. & S.H. 74

State Job No. 14964(08) Sheet No. T5

08/10/17 G:\Projects\T-1662B SH 74 @ NW 178th, NW 192nd & NW 206th\CAD\NW 192nd DET.dgn